

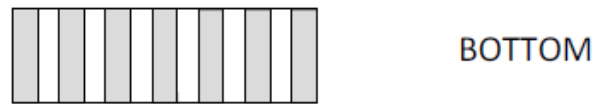
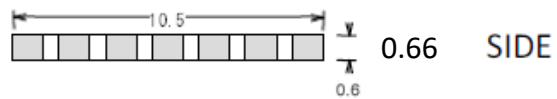
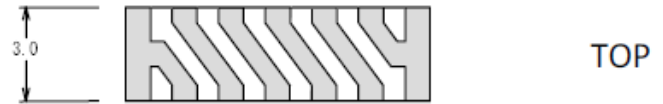
SMD 陶瓷天線

915MHz

Model: WS-ANTSMD915

Feature

- Frequency : 900~930MHz
- Impedance : 50Ω
- Dimension : 10.5x3.0x0.66mm
- Omni-directional
- High gain

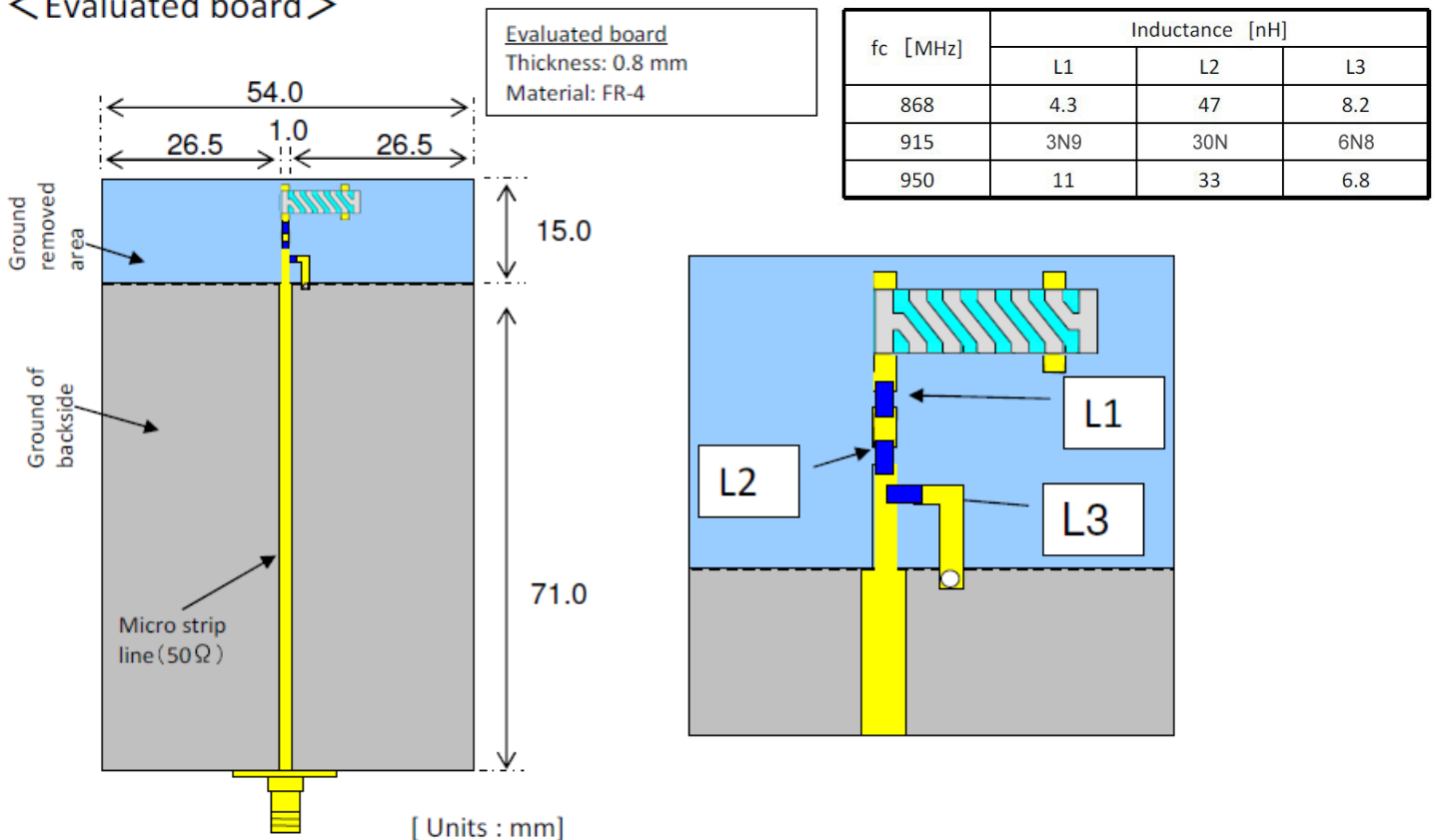


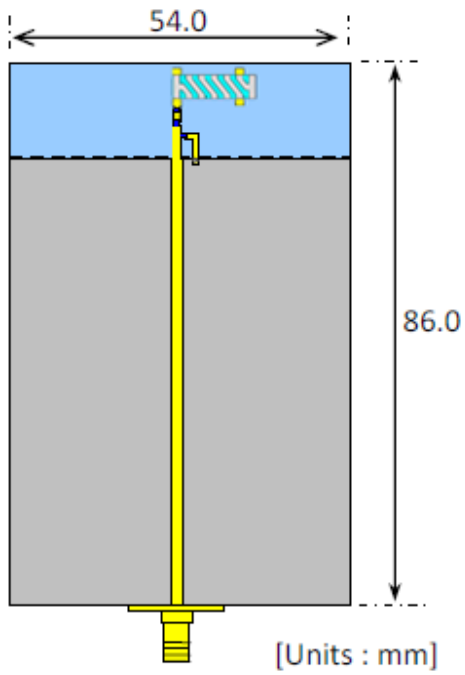
[Units : mm]

Applications

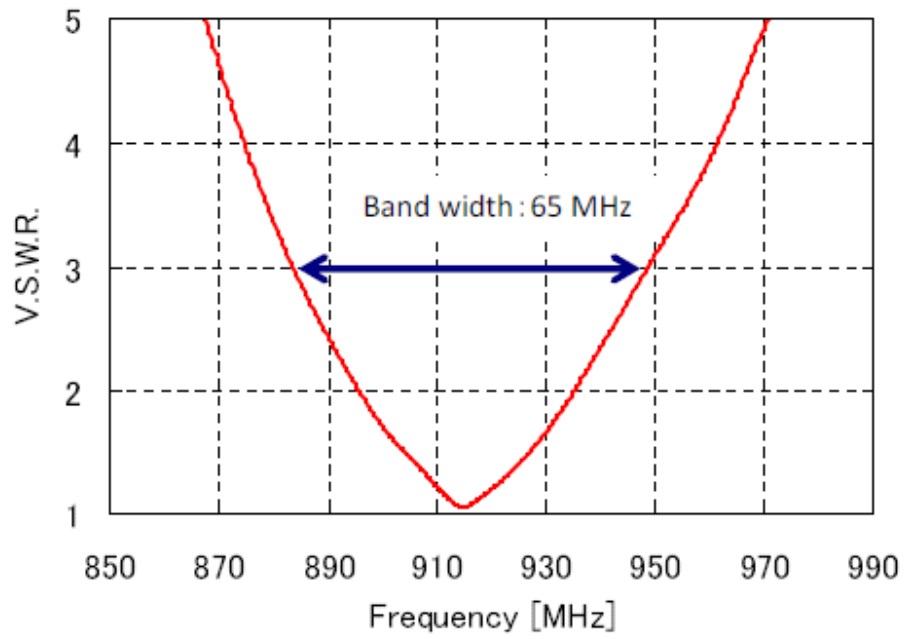
- Telemeter (Industrial & medical use)
- Telecontrol Data communication,
- Keyless entry system, Immobilizer system,
- Voice communication terminal, ZigBee

< Evaluated board >

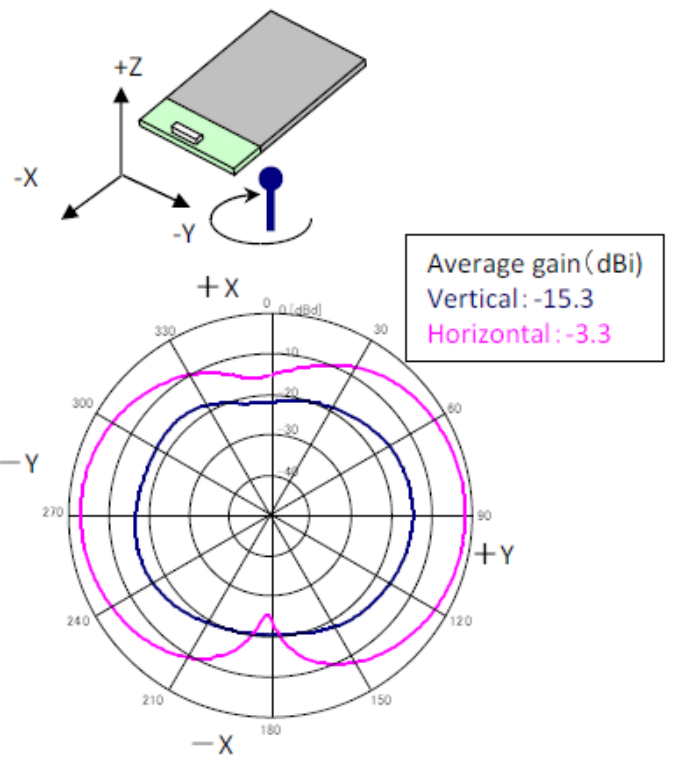
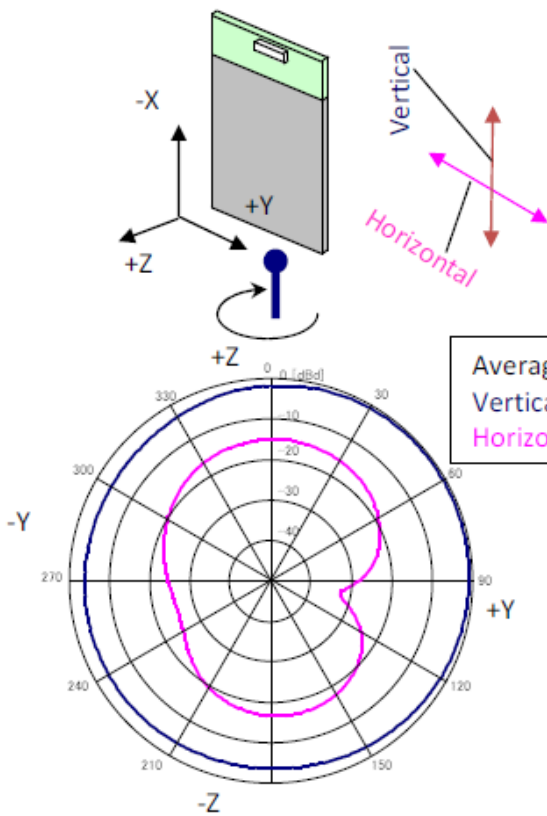




Evaluated board



V.S.W.R.



Radiation pattern: $f_c=915\text{MHz}$