

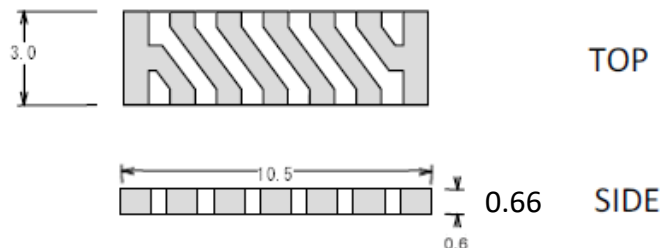
SMD Ceramic Antenna

915MHz

Model: WS-ANTSMD915

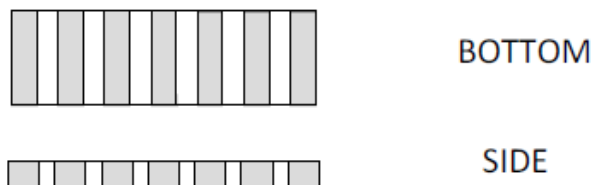
Feature

- Frequency : 900~930MHz
- Impedance : 50Ω
- Dimension : 10.5x3.0x0.66mm
- Omni-directional
- High gain



Applications

- Telemeter (Industrial & medical use),
- Telecontrol Data communication,
- Keyless entry system, Immobilizer system,
- Voice communication terminal, ZigBee



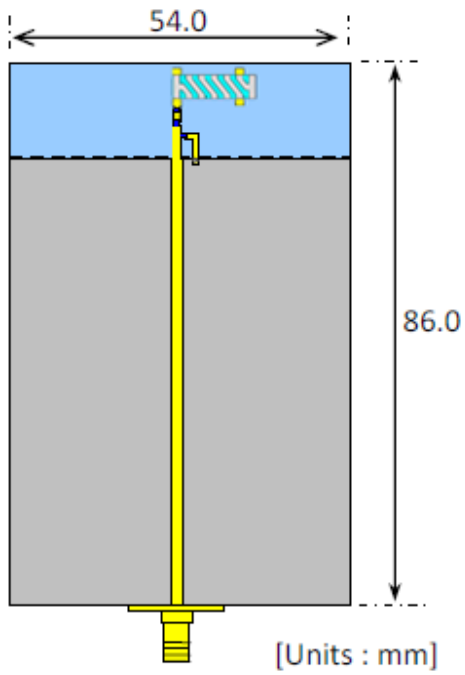
[Units : mm]

< Evaluated board >

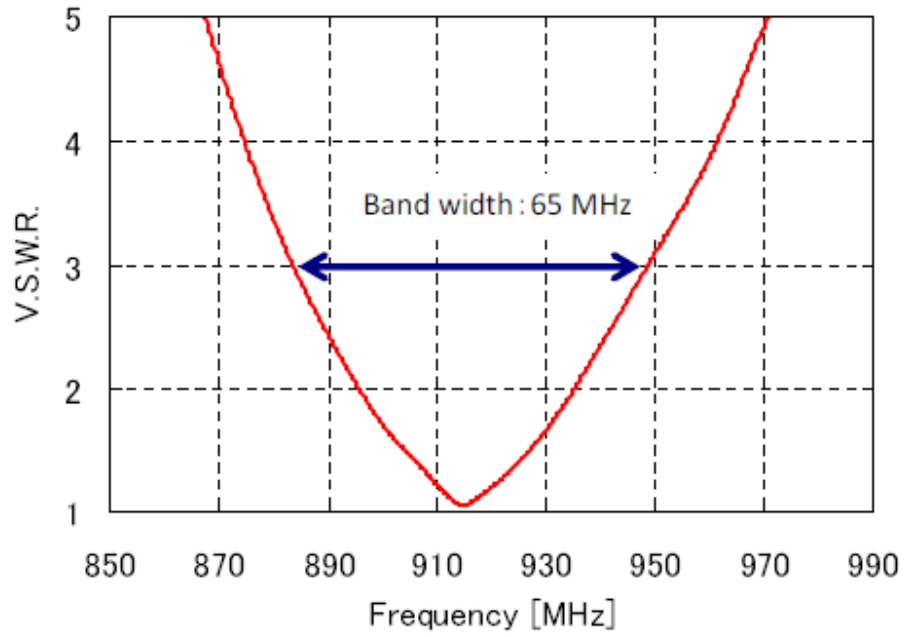
Evaluated board
Thickness: 0.8 mm
Material: FR-4

fc [MHz]	Inductance [nH]		
	L1	L2	L3
868	4.3	47	8.2
915	3N9	30N	6N8
950	11	33	6.8

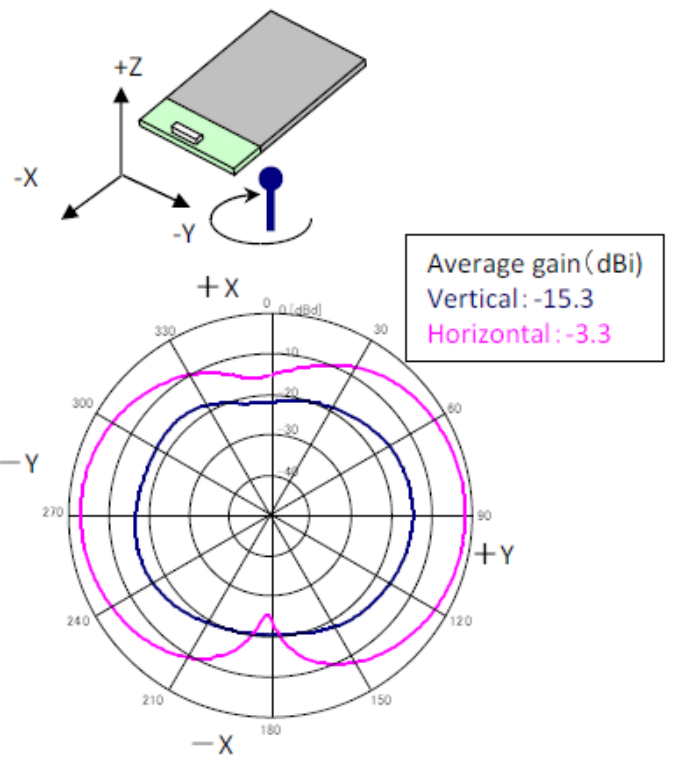
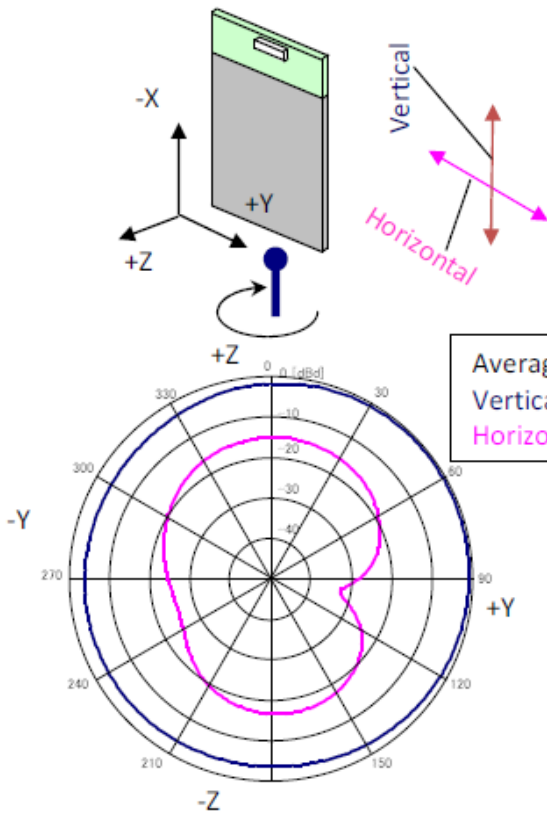
[Units : mm]



Evaluated board



V.S.W.R.



Radiation pattern: $f_c=915\text{MHz}$