

RD-358 Garage Door Controller

WENSHING Electronics has launched a new anti-copying RD-358 garage door controller with powerful and comprehensive features that effectively enhance the safety of garage doors. When the garage door is opened, the automatic lighting device is activated immediately. The RD-358 can automatically record the time of opening and closing the door to prevent damage to the garage door caused by the limit switch of an old roller door. In the event that the roller door rolls into the control box, the RD-358 automatically stops operation and issues a warning sound to ensure the safety of people and vehicles.

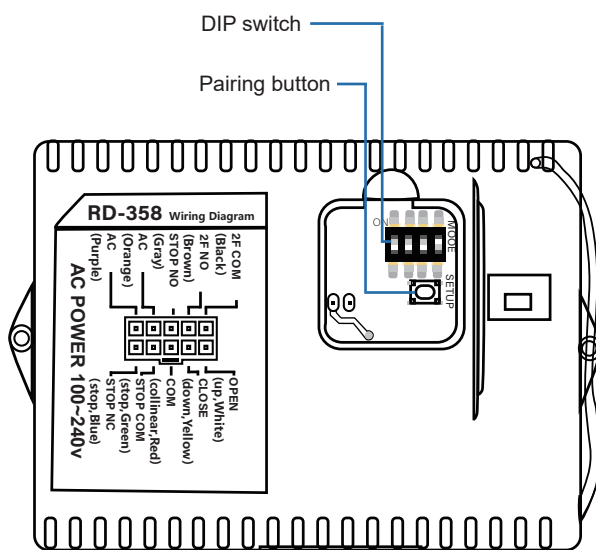
In addition, it can be collocations with our laser alert device (model: WS-LA02), which uses optical shading technology to notify the RD-358 to stop operation without contact. It has automatic stop and rebound protection functions, allowing for comprehensive protection of people and vehicles.

Applications: garage door control, elevator control.

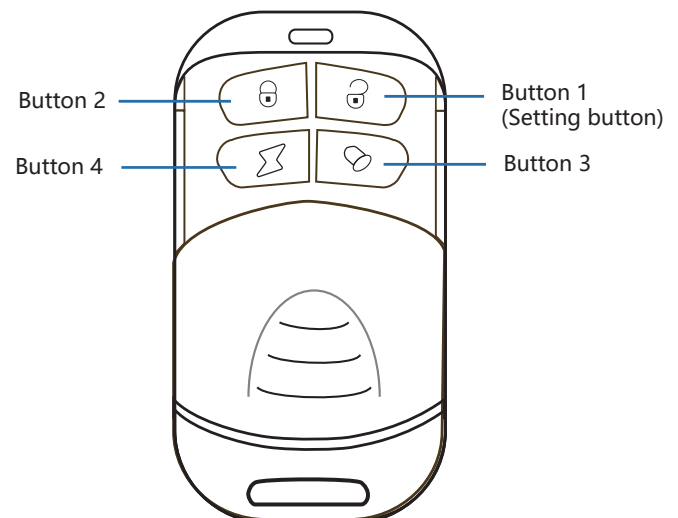
Function

- **Working frequency:** 433.9MHz
- **Mode setting:** Press and hold the "pairing button" on RD-358, and after 2 seconds, the LED on RD-358 will flash slowly, indicating it is in pairing mode. Press the "setup button" on the remote control (model: TX-L04M) to pair with RD-358. When RD-358 emits a "beep" sound, it indicates that the pairing is successful and the setup is complete.
- **Start the lighting:** When opening or closing the door, the RD-358 lighting will automatically turn on for 10 minutes to prevent any danger caused by darkness or nighttime. When pressing any button on the remote control, the lighting will immediately turn on and automatically turn off after 10 minutes.
- **Laser alert device (optional):** Please install under the rolling door, when an obstruction is detected during the rolling door's ascent or descent that an alarm sound will be activated, and the RD-358 relay will be remotely triggered to stop the movement. The alarm sound will stop when the obstruction is removed.

RD-358 Garage Door Controller

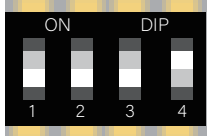


TX-L04M Remote Control



RD-358 Mode Table

DIP switch



Function Description

switch 1	switch 2	switch 3	switch 4	Function Description
X	X	X	X	button1 for "up", button3 for "stop" (non-latching), button2 for "down", button4 for "stop" (latching). Pressing button4 again and the relay will pop open.
ON	X	X	X	button1 for "up", button3 for "stop", button2 for "down", button4 for "interlock" (if interlock function is not needed, press button4 to individually control the action of each relay).
X	X	ON	X	Enable the automatic door closing function. Press button1 for "up", button3 for "stop", button2 for "down". The door will automatically close after 10 seconds when it reaches the top.
ON	X	ON	X	Enable the automatic door closing function, press button1 for "up", button3 for "stop", button2 for "down", and the door will automatically close after being fully opened for 15 seconds.
X	ON	ON	X	Enable the automatic closing function. Press button1 for "up", button3 for "stop", button2 for "down". The door will automatically close after 30 seconds at the fully opened position.
ON	ON	ON	X	Activate the automatic door closing function, press button1 for "up", button3 for "stop", button2 for "down". The door will automatically close after being open at the top for 90 seconds.
X	X	X	ON	When the anti-roll function of the rolling door is activated separately, the RD-358 will record the opening and closing times automatically. If the time exceeds 3 seconds, the door will stop automatically and emit an alarm sound and flashing light until any button on the remote control is pressed to disarm the alarm.