
Remote Controller (RF ASK)



- Sensitivity : 4uV
- Code : 28,212, or 38,312
- Power Supply : 110/220V AC/DC
- Frequency Range : 300~433.92MHz
- Relay Contact Voltage : 5A 24V/DC or 120V/AC
- Power Consumption : 10.5 mA/12V
- Control type : on/off, momentary, continue
- Size : 14*8.8*3.7cm

Content

| | |
|--|---|
| Important Event | 3 |
| ➤ Warranty..... | 3 |
| ➤ Un-warranty Scope Description..... | 3 |
| ➤ Contact Us..... | 3 |
| RD-710 Control Mode List | 4 |
| RD-710 Installation Steps | 4 |
| RD-710 Series Winding Connection Drawing | 5 |
| ➤ Garage Door Winding Connection Drawing(General)..... | 5 |
| ➤ Elevator Winding Connection Drawing(3A1B)..... | 6 |
| ➤ Elevator Winding Connection Drawing(4A)..... | 7 |
| ➤ Elevator Winding Connection Drawing(2A1B)..... | 8 |

Important Event

- This product is in general use for the equipment on the premise of the development, design, manufacture. Do not use that require high security purposes, such as machinery or medical, aviation equipment, machinery and transport-related deaths are directly or indirectly related to the system.
- This product should be in this brochure by the instructions of the types and rated voltage power under the current proper use. If violation of this statement by the safety records of the supply operation, I am afraid our company cannot afford any of the responsibility.
- Do not self-decomposition, alteration, repair of the products also will cause fire, electric shock, fault, and dangerous. In addition, their decomposition, alteration, repair the product, failure is not within the scope of warranty.
- The products are not waterproof, so please do not use and touch water. Take off and on also please note. Rain, spray, drinks, steam, sweat may be a failure.
- Use of this product, please be sure to use according to the statement recorded by the use of methods to operate. Please do not violate particular attention to the matter reminded to use.
- Please respect this statement recorded by the note. When consumers in contravention of this statement recorded note of the operation, I am afraid our company could not shoulder any responsibility.
- Products are defective, the Company will be responsible for free to amend the flaws, or to the same flawless product or its equivalent products in exchange. However, the Company does not assume based on the requirements of the flaw and loss responsibility.
- The Company reserves the right to retain without notice to users of the cases, the product of hardware / software (version upgrade) is with the right to edit.

Warranty

The warranty time is within one year from purchased date. The warranty scope are used in normal situation and none vandalism. (Some function harmful out of warranty scope and Vandalism are Un-warranty).

Un-warranty Scope Description

- Because the natural disaster, accident or human factor to cause the bad damage.
- Violate the product instruction manual to cause the damage of the products.
- The improper assemble causes damage.
- The products used the unsanctioned accessory to cause damaged.
- Overstep the allowed used environment to cause the products damaged.

Contact Us


WENSHING ELECTRONICS CO., LTD.

No.82, Chong De St. 11054 Shin Yi Dist, Taipei, Taiwan

Tel: +886-2-2735 3055

Fax: +886-2-2732 8813

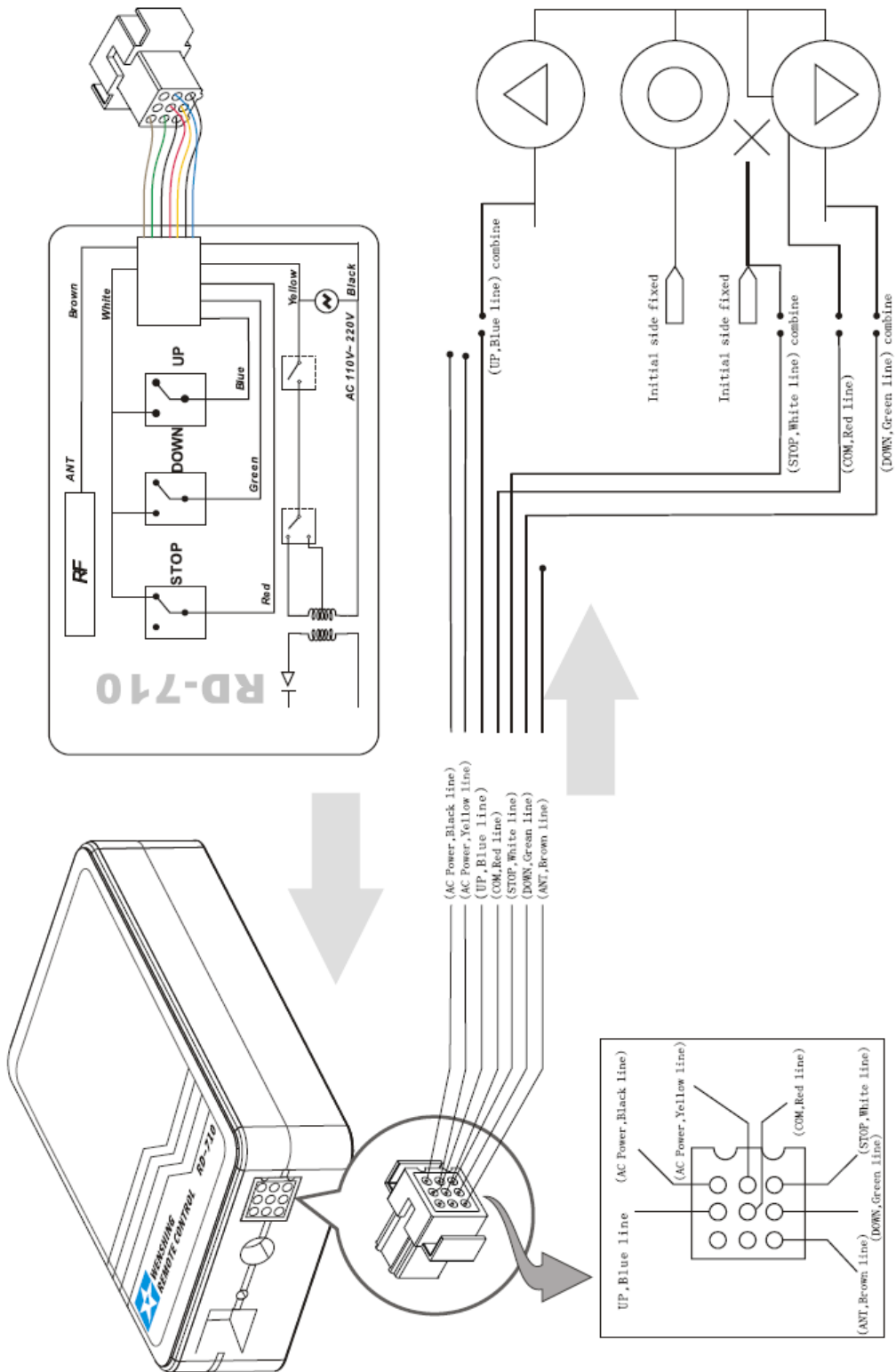
RD-710 Control Mode List

| Remote Controller Model No. | Dip Switch Dial Code  | Relay Mode |
|---|--|---|
| TX-F01 (RD-710 General type only) | 1 ON | Single point control(By Hand) |
| | 1 , 3 ON | Two-point control(By Hand) |
| | 2 , 3 ON | Automatically decrease, power |
| | 2 ON | Single point control (Automatically decrease, power) |
| TX-F02 (RD-710 General type only) | 1 ON | Two-point control(By Hand) |
| | 2 ON | Two-point control(Automatically decrease, power) |
| TX-F04 | 4 ON | Roll-up door mode |
| | 2 , 4 ON | Lift Mode |
| | 1 , 4 ON | Automatically decrease mode |
| | 1 , 2 , 3 ON | Single point control |

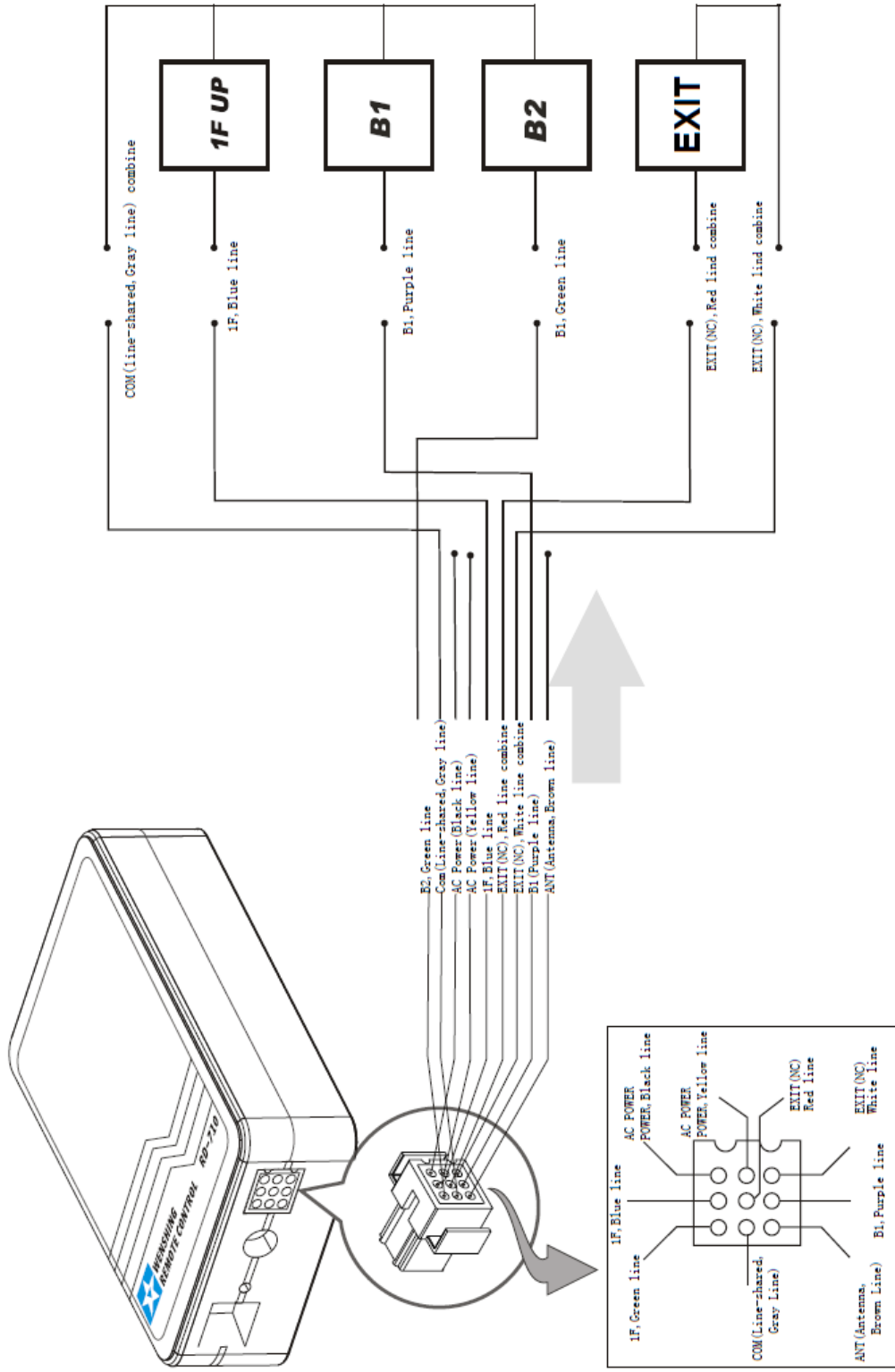
RD-710 Installation Steps

1. After you open box, please check whole accessories are complete. (Host*1pcs, Remote controller *2pcs, Fix stand*1pcs, wire*1pcs)
2. Please check motor power supply to avoid danger.
3. Please put wire installed in the motor wiring plate according to the wiring drawing on manual.
4. After fix the host on the wall, please connect the wire.
5. Open motor power supply. If power function is normal, it is meaning you finished assemble.
6. If it still has problem, please check following:
 - Wire connection is correct
 - Voltage is the same as motor
 - Dip code is the same.
7. If you still have problem on using, please contact disruptor.

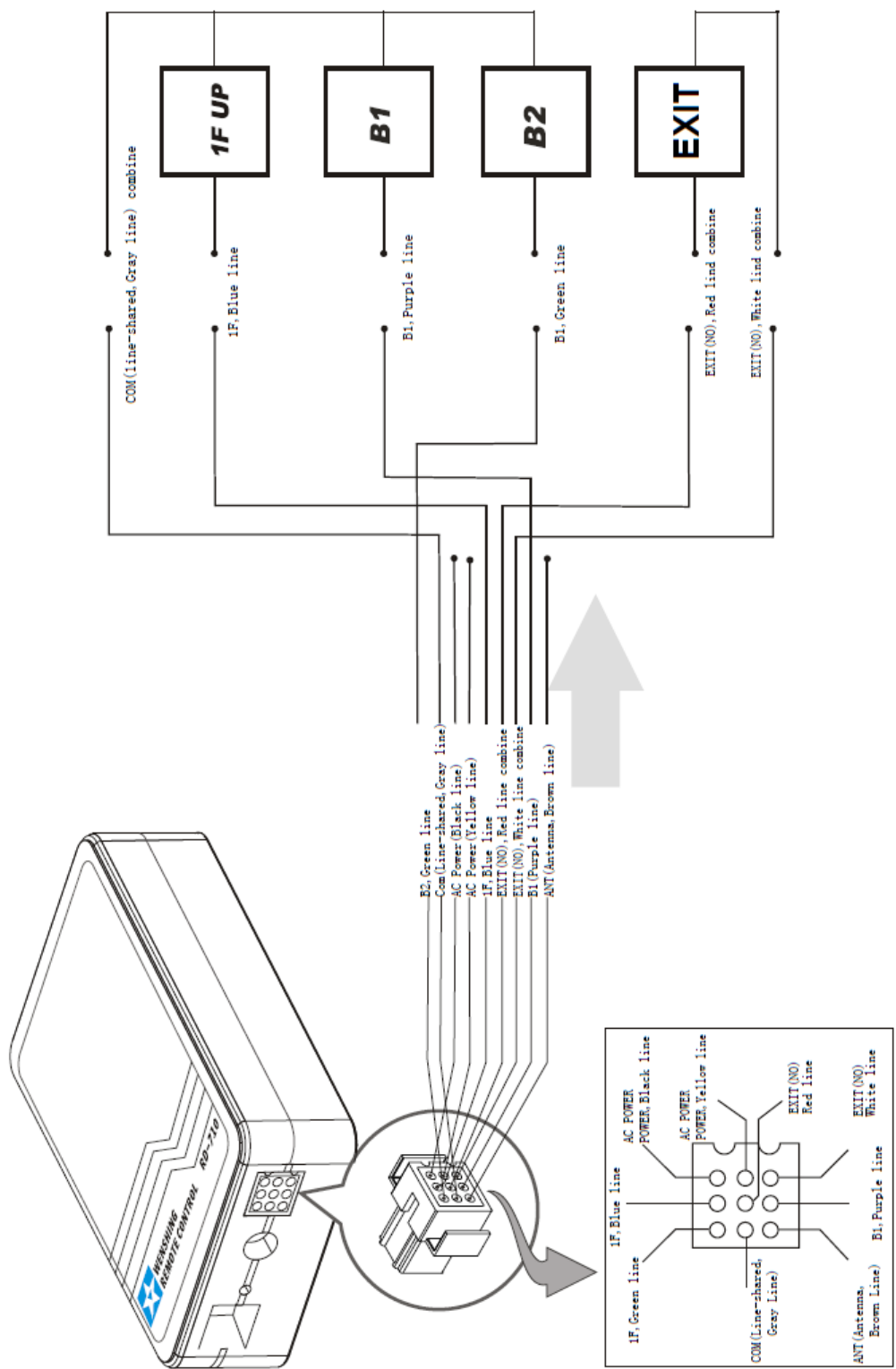
RD-710 (General Type) Garage Door Winding Connection Drawing **WENSHING ELECTRONICS CO., LTD.**



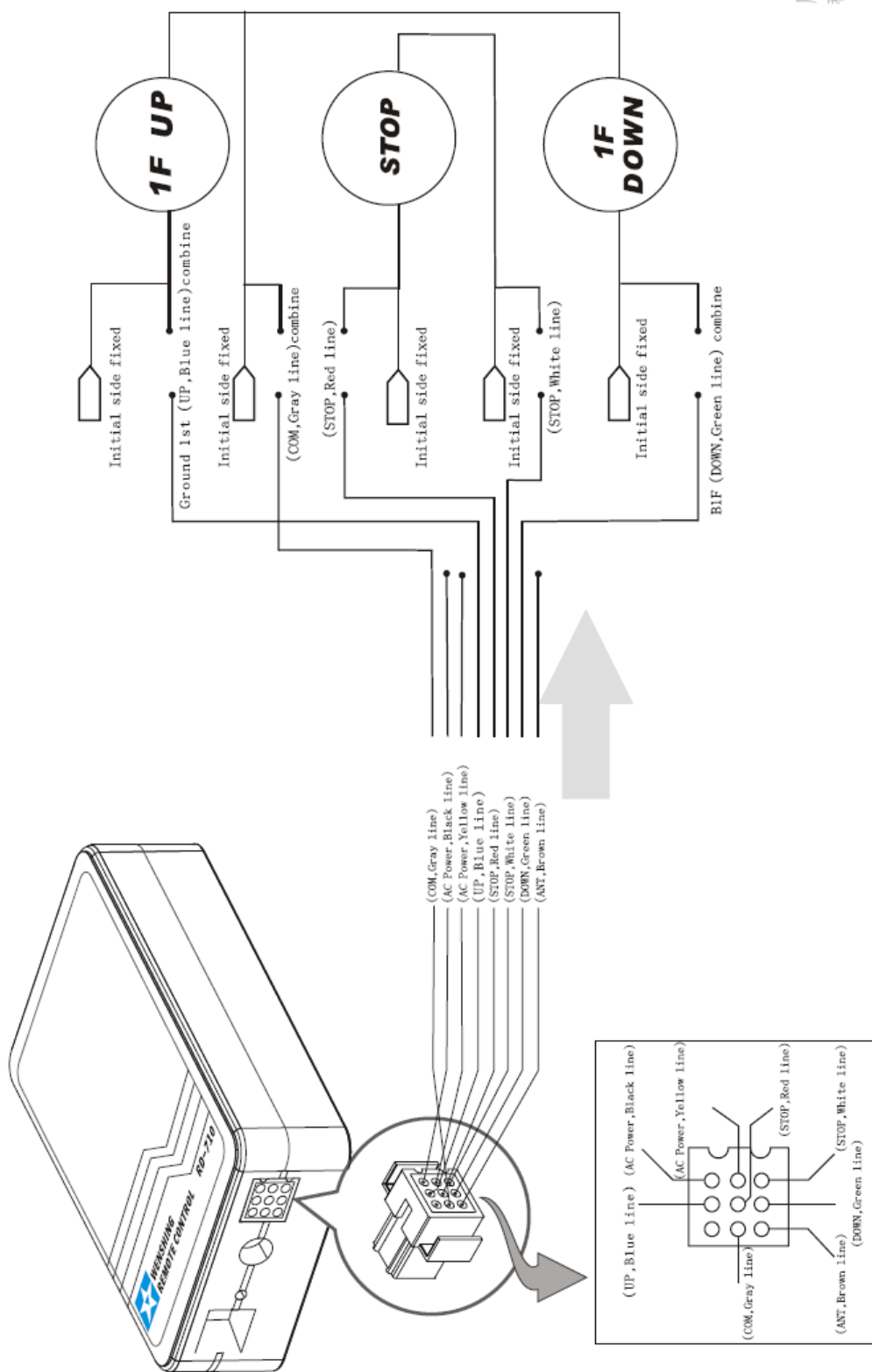
RD-710 (3A1B Type) Elevator Winding Connection Drawing WENSHING ELECTRONICS CO.,LTD.



RD-710 (4A Type) Elevator Winding Connection Drawing WENSHING ELECTRONICS CO., LTD.



RD-710 (2A1B Type) Elevator Winding Connection Drawing WENSHING ELECTRONICS CO.,LTD.




RD-710 控制模式對照表

| 遙控器型號 | 指撥開關模式  | 繼電器模式 |
|---------------------------------|---|----------------|
| TX-F01 (僅適用於 RD-710 一般型) | 1 ON | 單點控制(手動) |
| | 1,3 ON | 雙點控制(手動) |
| | 2,3 ON | 自動下降,不斷電 |
| | 2 ON | 單點控制(自動下降,不斷電) |
| TX-F02 (僅適用於 RD-710 一般型) | 1 ON | 雙點控制(手動) |
| | 2 ON | 雙點控制(自動下降,不斷電) |
| TX-F04 (OPEN/STOP) (B1B2) | 4 ON | 鐵捲門模式 |
| | 2,4 ON | 升降機模式 |
| | 1,4 ON | 自動下降模式 |
| | 1,2,3 ON | 單點控制 |

RD-710 安裝步驟：

1. 打開包裝盒後，請檢視配件是否齊全。
(固定架*1、線材*1)
2. 請先將馬達電源切斷，以免發生危險。
3. 依照圖示將線材安裝於馬達配線盤。
4. 將主機固定後，接上線材。
5. 本產品適用電壓為 110~220V，瞬間電壓如高出此範圍，則本產品零件有燒毀之可能。
6. 將馬達電源打開，通電後測試功能如皆正常，安裝程序即告完成。
7. 通電後如仍有問題，請檢視配線是否正確、密碼是否撥至相同。
8. 安裝如仍有問題，請與經銷商聯繫。

RD-710 Control Mode List

| Remote Controller Model No. | Dip Switch mode  | Relay Mode |
|--------------------------------------|--|--|
| TX-F01 (RD-710 General type only) | 1 ON | Single point control (manual) |
| | 1,3 ON | Two-point control (manual) |
| | 2,3 ON | Automatically drop, uninterrupted power |
| | 2 ON | Single point control (Automatically drop, uninterrupted power) |
| TX-F02 (RD-710 General type only) | 1 ON | Two-point control (manual) |
| | 2 ON | Two-point control (Automatically drop, uninterrupted power) |
| TX-F04 (OPEN/STOP) (B1B2) | 4 ON | Overhead door mode |
| | 2,4 ON | Elevator Mode |
| | 1,4 ON | Automatic descent mode |
| | 1,2,3 ON | Single point control |

RD-710 installation steps:

1. After you open box, please check whole accessories are complete.
(Fixed frame*1pcs, wire*1pcs)
2. Cut off the motor power first to avoid danger.
3. Install the wire on the motor wiring board as shown in the figure.
4. After fixing the host, connect the wires.
5. The applicable voltage of this product is 110~220V. If the instantaneous voltage is higher than this range, the parts of this product may be burnt.
6. Turn on the power of the motor, the test function is normal after power on, and the installation procedure is complete.
7. If there are still problems after power-on, please check following:
 - Wire connection is correct.
 - Dip switch code is the same.
8. If there are still problems with the installation, please contact the dealer.