



承認書

APPROVAL SHEET

客戶機型：

Customer P/N: _____

品名：

Model Name: GPS Active Antenna

承認書編號：

Document No.: _____

版本別：

Version: _____

供應商：

Supplier: 文星電子股份有限公司

日期：

Issue Date: 2014/3/6

Approval of Vendor		
Prepared By	Checked By	Approved By

Approved By Customer (Signing or stamping here)



GPS Active Antenna Specification

1. Overall Performance (Antenna Element 、LNA 、Cable)		
Characteristics	Specification	Note
Center frequency	1575.42±1.023MHz	
Bandwidth	15MHz	
Voltage	2.8V ~ 5.5V	DC Voltage
Power consumption	6mA ~ 18mA	
Characteristic impedance	50 Ohm	
Noise figure	< 1.5dB	+25°C
VSWR	< 2.0	
LNA gain	25dB typ	at 3.3V
Polarization	RHCP	Right hand circularly polarized
Axial ratio	3dB max	Mounted on the 70mm*70mm ground plane
RF cable	RG174	
Cable length	300mm	±30mm
Cable attenuation	< 0.6dB/m	at 1.5GHz
Jacket color	Black	
RF connector	SMA Male 180°	
Outline dimension	36.7mm x 34.15mm x 13.55mm	L x W x H

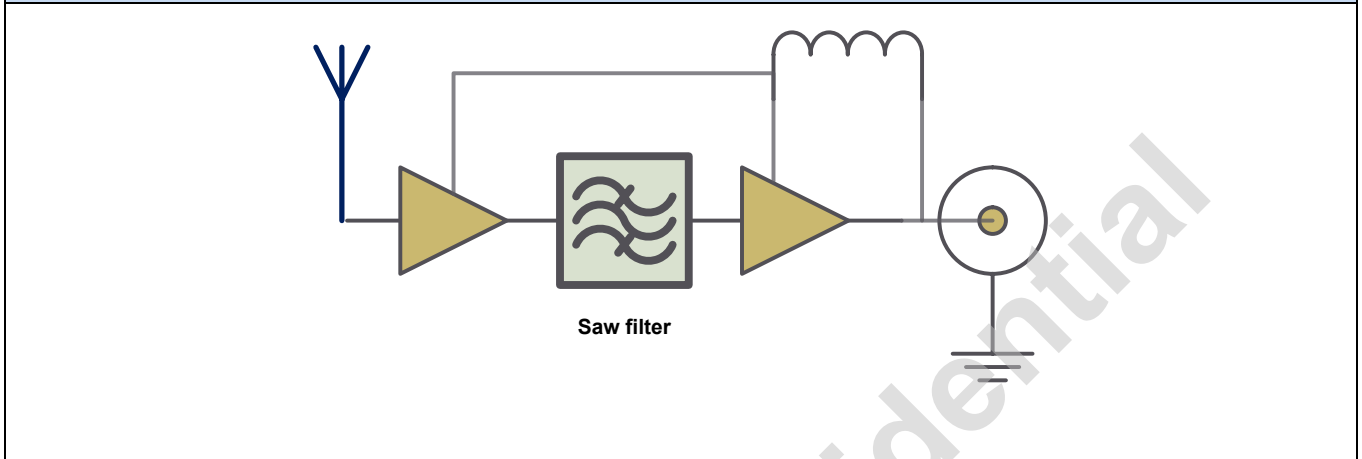
2. Operating Condition		
Characteristics	Specification	Note
Temperature	-40°C to +85°C	
Humidity	10% to 95% RH	

3. Storage Condition		
Characteristics	Specification	Note
Temperature	-40°C to +90°C	
Humidity	10% to 95% RH	

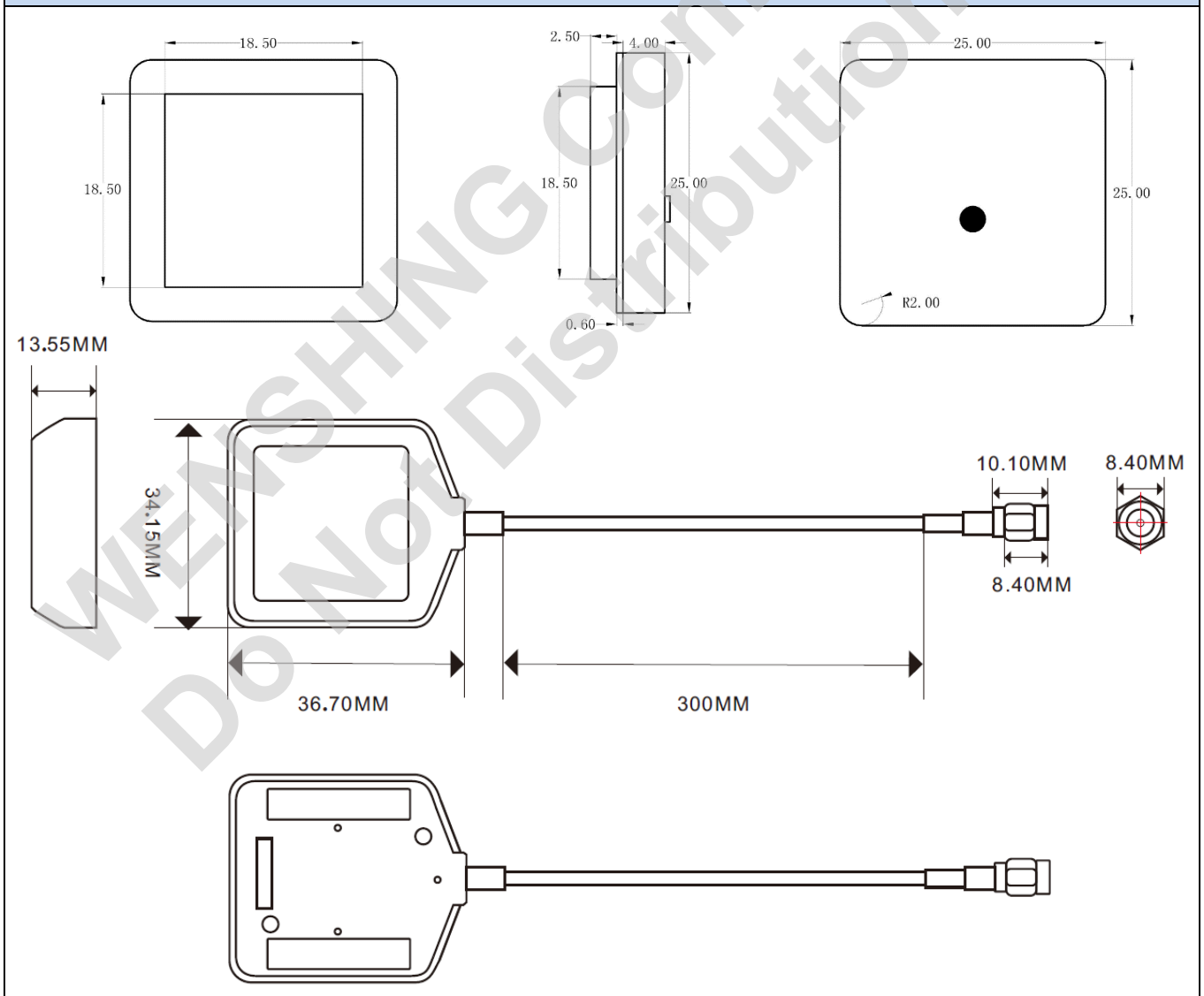
4. Application		
This application shall apply for antenna unit which shall be used with an engine for an automobile. (for impedance 50 ohm)		



5. Block Diagram

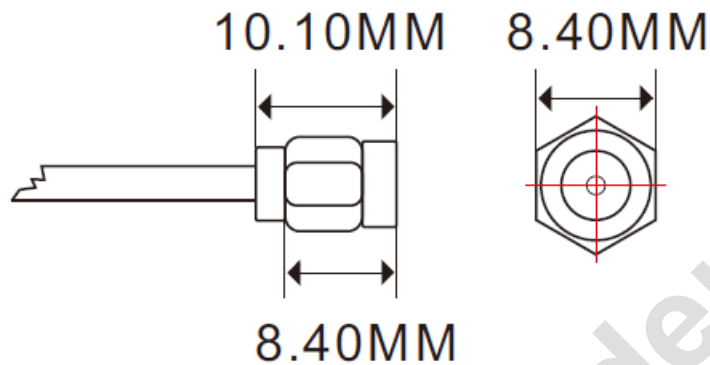


6. Antenna Dimensions





7. SMA Connector Dimensions



8. Note

1. This product specification guarantees the quality of our product as a single unit. Please make sure that your product is evaluated and confirmed against your specifications when our product is mounted to your product.
2. We cannot warrant against failure caused by any use of our product that deviates from the intended use as described in this product specification.
3. The product will get free warranty for three months since the date of purchase users operate in the correct way; users will have to pay cost of the materials and maintaining fee out of the condition.
4. Electrostatic sensitive device Observe precautions for handling.